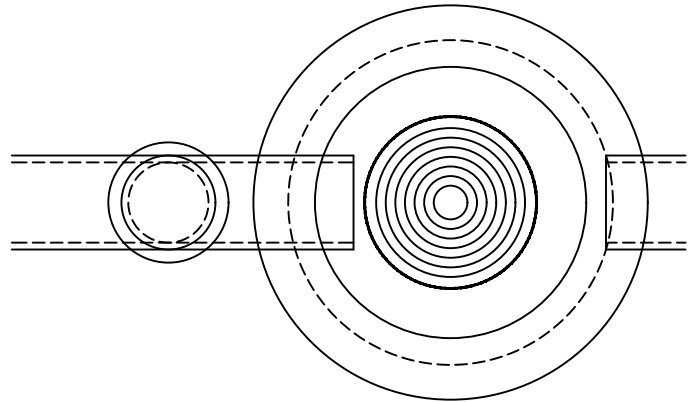


**PRECAST MANHOLE
FLAT TOP**

**PRECAST MANHOLE
TAPERED TOP**

NOTES:

1. 8" TO 15" PIPE, 4' ID MANHOLE REQUIRED.
2. 18" TO 27" PIPE, 5' ID MANHOLE REQUIRED.
3. OVER 27" PIPE, MANHOLE ID AS SPECIFIED BY ENGINEER.
4. MANHOLES LESS THAN 4'-6" IN HEIGHT SHALL HAVE A FULL 4' ID OR LARGER FROM TOP TO BOTTOM.
5. FOR STEPS AND INVERT DETAILS, SEE SAN-06.



STANDARD & DROP MANHOLE

REVISION	BY	DATE	<p align="center">PRECAST MANHOLE/ DROP MANHOLE STANDARD DETAILS</p>	
			ENGINEERING DEPARTMENT	
			DATE: 4-11-22	STANDARD NO. SAN-03