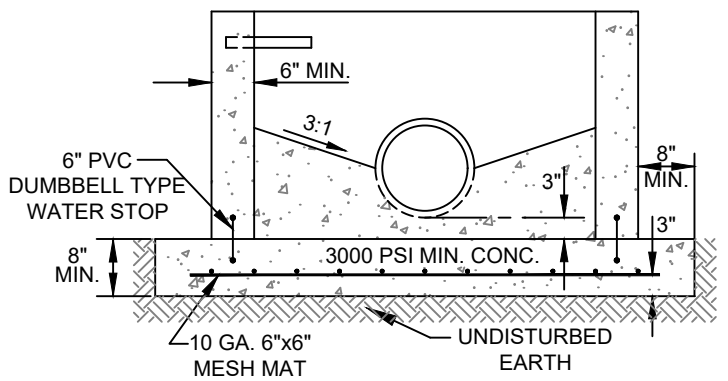
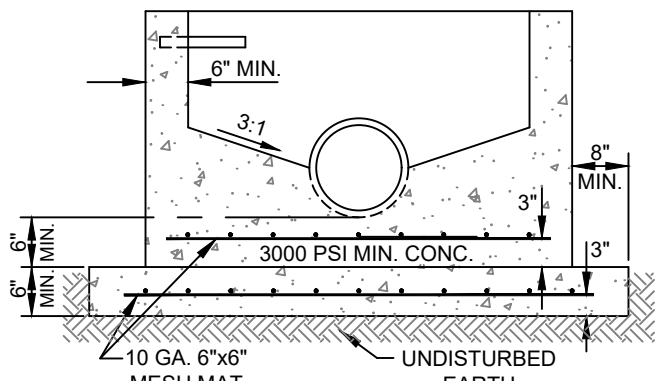


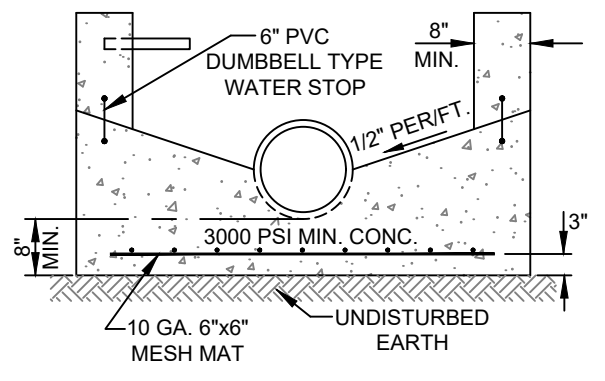
**MONOLITHIC CONSTRUCTION**



**STAGE CONSTRUCTION ALTERNATE 1**



**STAGE CONSTRUCTION ALTERNATE 2**



**STAGE CONSTRUCTION ALTERNATE 3**

**NOTES:**

1. USE STEP DETAIL SHOWN ON STANDARD DRAWING SAN-06.
2. LOW SLUMP CONCRETE SHALL BE PLACED IN THE FOOTINGS AND LOWER WALLS, AND SHALL BE PLACED AND VIBRATED IN ONE FOOT LIFTS.
3. AN INSPECTOR MUST BE PRESENT BEFORE AND DURING THE PLACING OF THE CONCRETE.
4. THIS MANHOLE SHALL NOT BE USED IN PAVED STREETS OR OTHER TRAVELED AREAS.
5. THE CONCRETE MUST SET FOR 48 HOURS BEFORE PIPE INSIDE OF MANHOLE IS TRIMMED.
6. ALTERNATE 3: INVERT MUST BE FORMED AT TIME OF BOTTOM POUR.
7. WATER STOPS MAY BE ELIMINATED IF BARREL OF MANHOLE IS POURED WITHIN 4 HOURS AFTER BASE IS CLEANED OF ALL MUD, SILT AND DEBRIS.

REVISION	BY	DATE	<b>CAST IN PLACE MANHOLE STANDARD DETAILS</b>	
			ENGINEERING DEPARTMENT	
			DATE: 4-11-22	STANDARD NO. SAN-04