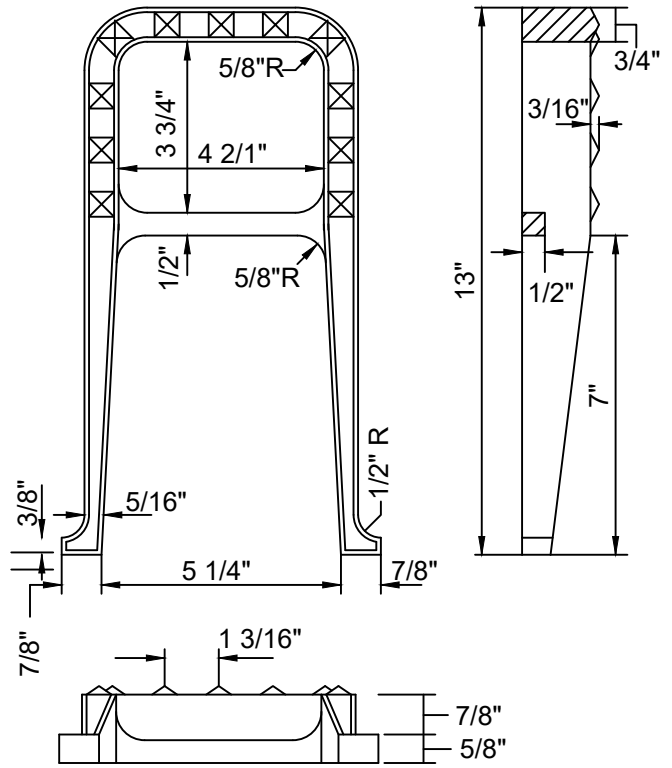
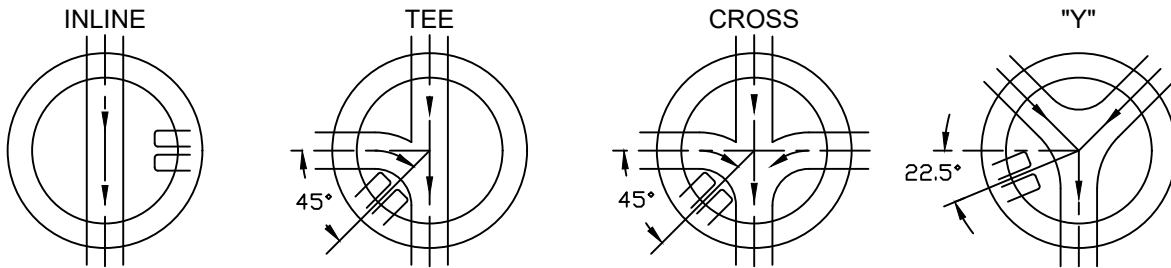


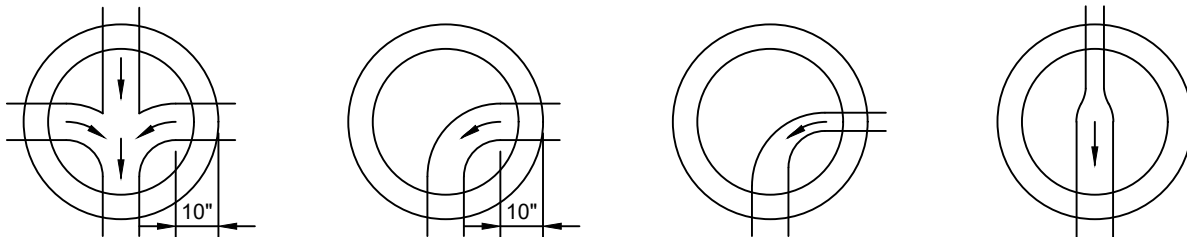
LARGE STEP



STANDARD STEP



MANHOLE STEP LOCATIONS



TYPICAL MANHOLE INVERT DETAIL

NOTES:

1. INLINE MANHOLE INVERTS SHALL HAVE 0.01 MIN. DROP ACROSS MANHOLE.
2. IF INVERT IS 90° OR LESS APART, FROM INLET TO OUTLET, THE INVERT SHALL HAVE 0.02' DROP ACROSS MANHOLE.
3. MAINTAIN FLOWLINE THROUGH MANHOLES AS CLOSE AS POSSIBLE.
4. ALL MANHOLE STEPS SHALL BE REINFORCED STEEL WITH COPOLYMER POLYPROPYLENE.

REVISION	BY	DATE	MANHOLE STEPS & INVERTS	
			CITY OF JENKS, OKLAHOMA	
			ENGINEERING DEPARTMENT	
			DATE: 4-11-22	STANDARD NO. SAN-06