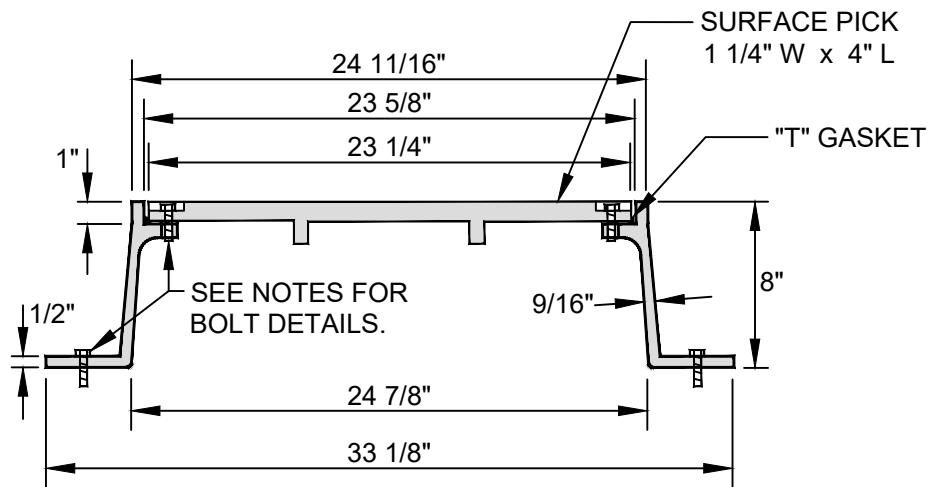


PLAN VIEW
MANHOLE FRAME & COVER



SECTION "A" - "A"
MANHOLE FRAME & COVER

NOTES:

1. FRAME IS FURNISHED WITH "T" GASKET AND MACHINED HORIZONTAL BEARING SURFACES.
2. ALL BOLTS SHALL BE HEX HEAD 3/4" x 3 1/2" LONG STAINLESS STEEL WITH 1/8" THICK STAINLESS STEEL FLAT WASHER. THE THREADED LENGTH OF THE BOLT SHALL BE 2 1/2". THE BOLT HEAD SHALL BE 3/4" THICK.

REVISION	BY	DATE	SANITARY SEWER MANHOLE FRAME & COVER - BOLTED STANDARD DETAILS	
			CITY OF JENKS OKLAHOMA	
			ENGINEERING DEPARTMENT	
			DATE: 4-11-22	STANDARD NO. SAN-08