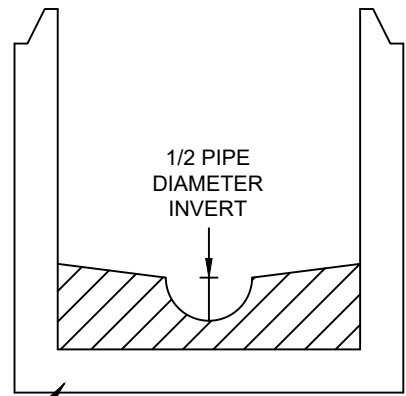
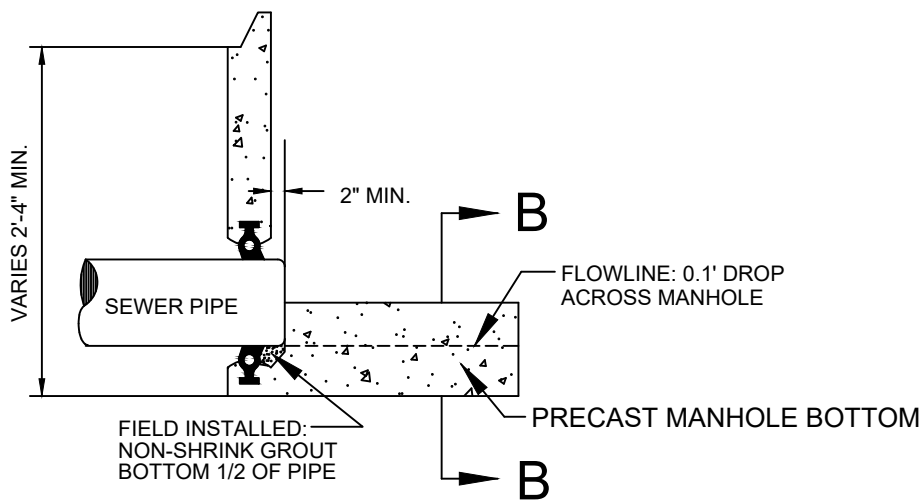


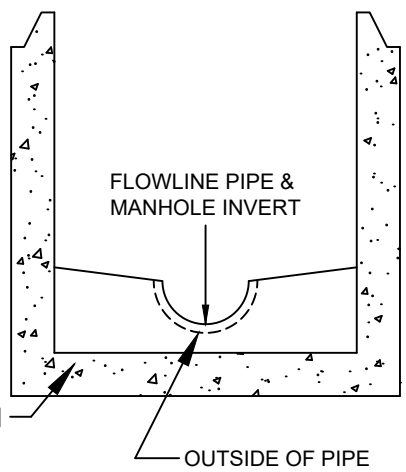
TYPE A MANHOLE



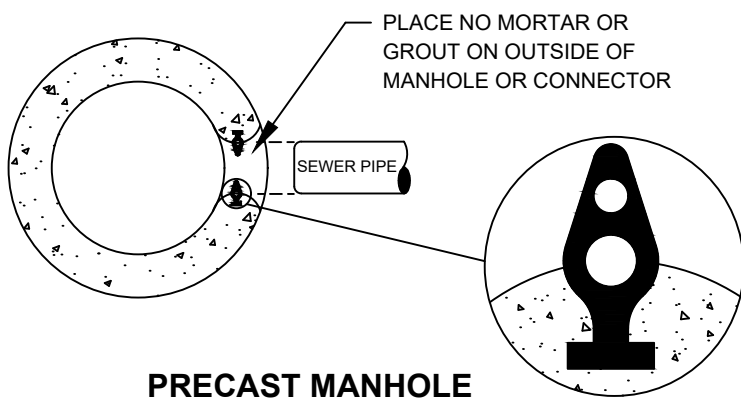
SECTION A - A



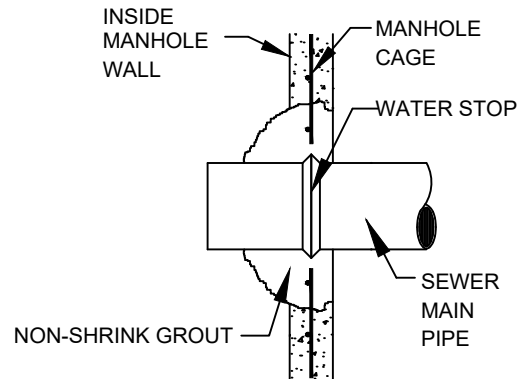
TYPE B MANHOLE



SECTION B - B



PRECAST MANHOLE



FIELD INSTALLED MANHOLE

REVISION	BY	DATE

SANITARY SEWER MANHOLE PIPE CONNECTOR STANDARD DETAILS	
CITY OF JENKS, OKLAHOMA	
ENGINEERING DEPARTMENT	
DATE: 4-11-22	STANDARD NO. SAN-10