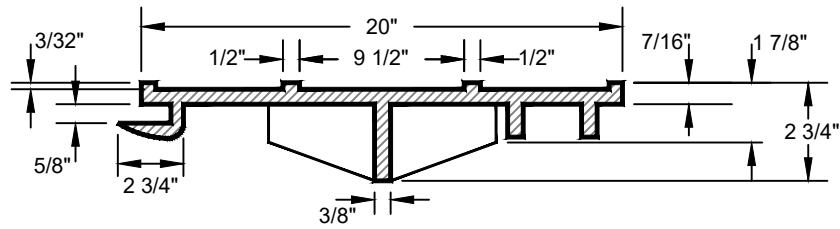
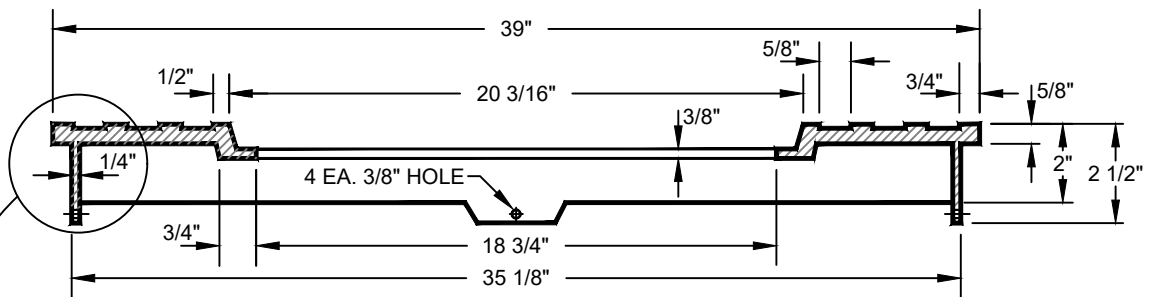


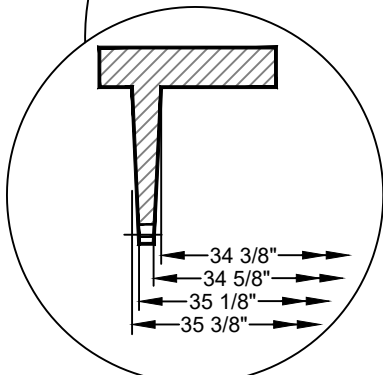
AIR RELEASE VALVE



COVER



FRAME



| REVISION | BY | DATE | AIR RELEASE VALVE FOR SANITARY SEWER FORCE MAIN STANDARD DETAILS | |
|----------|----|------|---|---------------------|
| | | | CITY OF JENKS OKLAHOMA | |
| | | | ENGINEERING DEPARTMENT | |
| | | | DATE: 4-11-22 | STANDARD NO. SAN-14 |