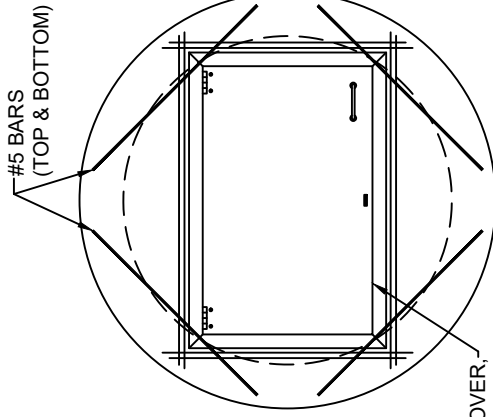
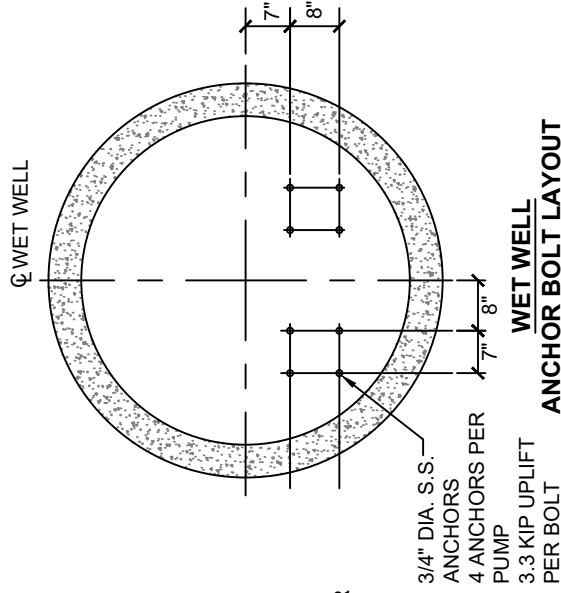


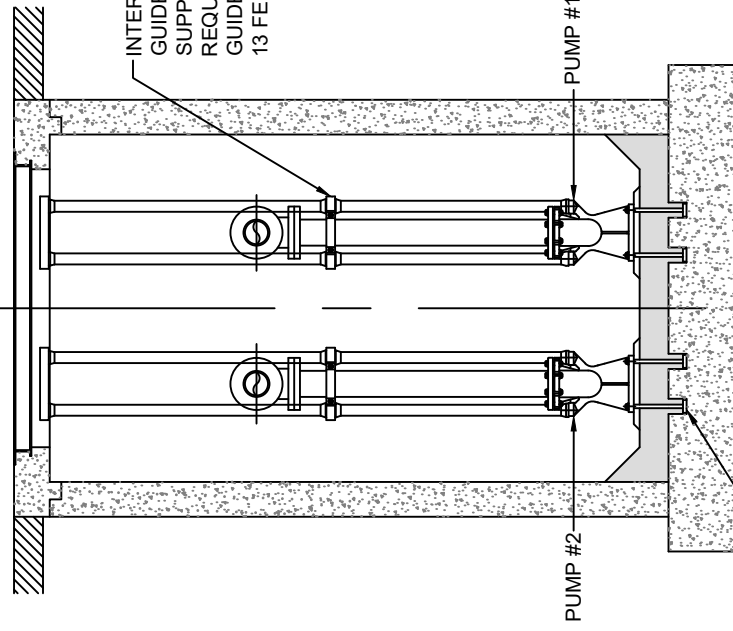
FLOAT BRACKET



WET WELL TOP OF SLAB

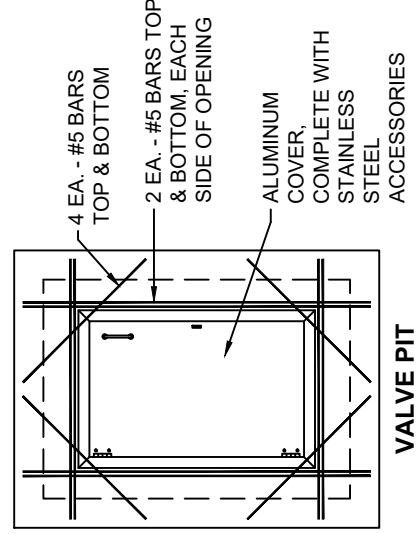


WET WELL ANCHOR BOLT LAYOUT



HOLES FOR STAINLESS STEEL ANCHOR BOLTS SHALL BE DRILLED A MINIMUM OF 4" INTO BOTTOM OF WET WELL & BOLTS SHALL BE GROUTED IN PLACE WITH NON-SHRINK GROUT. ALL ANCHOR BOLTS, NUTS, AND WASHERS SHALL BE STAINLESS STEEL.

WET WELL



VALVE PIT TOP OF SLAB

LIFT STATION

STRUCTURAL DETAILS

CITY OF JENKS, OKLAHOMA

ENGINEERING DEPARTMENT

DATE: 4-11-22

STANDARD NO.

SAN-15b