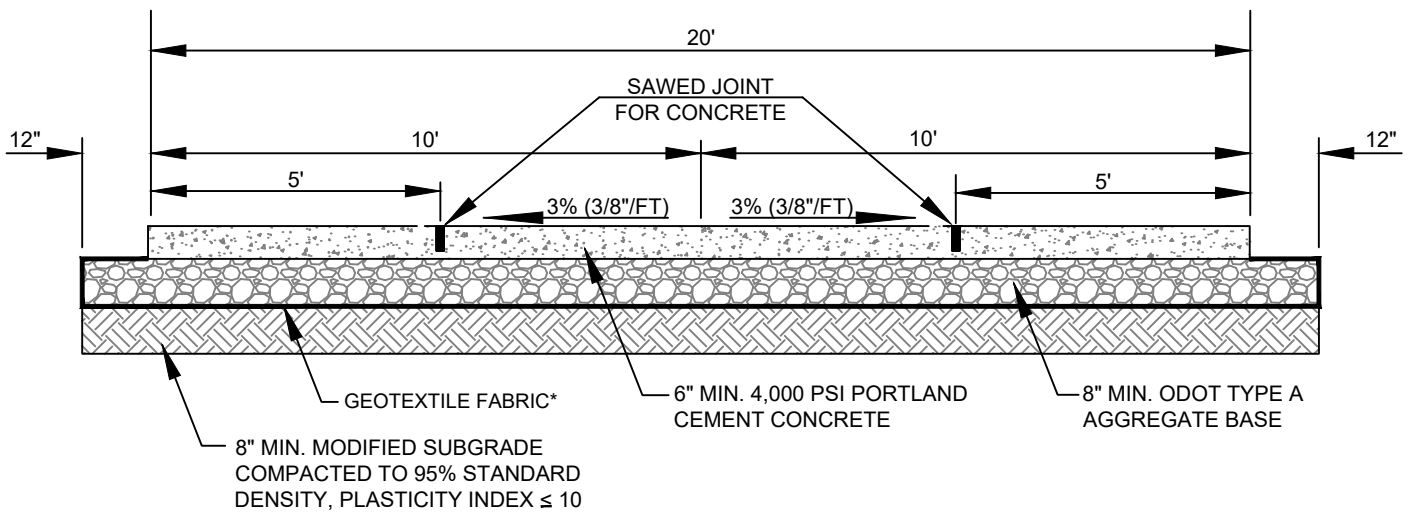


ALLEY PAVING - ASPHALT
TYPICAL SECTION



ALLEY PAVING - CONCRETE
TYPICAL SECTION

NOTES:

1. PAVING SECTION SHOWN IS MINIMUM ALLOWED. PAVING SHALL BE DESIGNED IN ACCORDANCE WITH THE CITY'S ENGINEERING DESIGN CRITERIA.
2. PAVING CONSTRUCTION TO BE MONOLITHIC, NO CONSTRUCTION JOINTS.
3. TRANSVERSE CONTRACTION JOINTS TO BE SOW CUT AT 10' C/C.
4. SEAL ALL JOINTS WITH RUBBERIZED ASPHALT.
- * 5. GEOTEXTILE FABRIC SHALL BE CONTECH C-80NW OR EQUAL.

REVISION	BY	DATE	ALLEY PAVING STANDARD DETAILS	
			ENGINEERING DEPARTMENT	
			DATE: 4-11-22	STANDARD NO. STRT-05