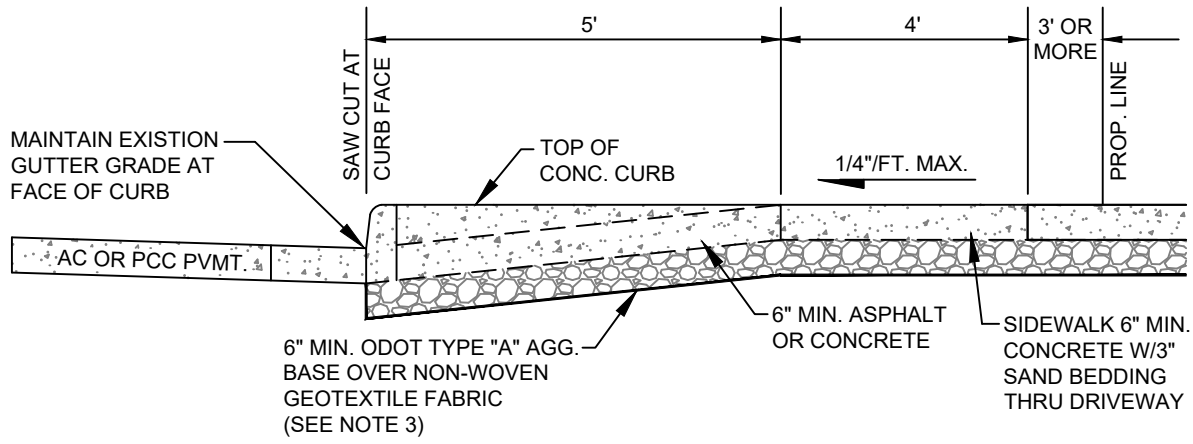
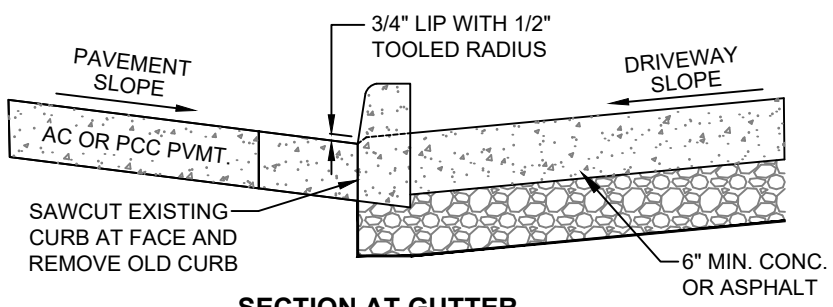


COMMERCIAL DRIVEWAY



STREET/DRIVEWAY SECTION



SECTION AT GUTTER

NOTES:

1. DRIVEWAY SHALL BE DESIGNED FOR THE HEAVIEST RECURRING LOAD POSSIBLE.
2. IF CURB CUT IS WITHIN 18" OF EXISTING CURB CONTRACTION JOINT, REMOVE EXISTING CURB TO THE CONTRACTION JOINT AND REPLACE WITH NEW CURB RETURN PLACEMENT.
3. GEOTEXTILE FABRIC SHALL BE CONTECH C-80NW OR EQUIVALENT.

REVISION	BY	DATE

COMMERCIAL DRIVEWAY	
STANDARD DETAILS	
CITY OF JENKS, OKLAHOMA	
ENGINEERING DEPARTMENT	
DATE: 4-11-22	STANDARD NO. STRT-10